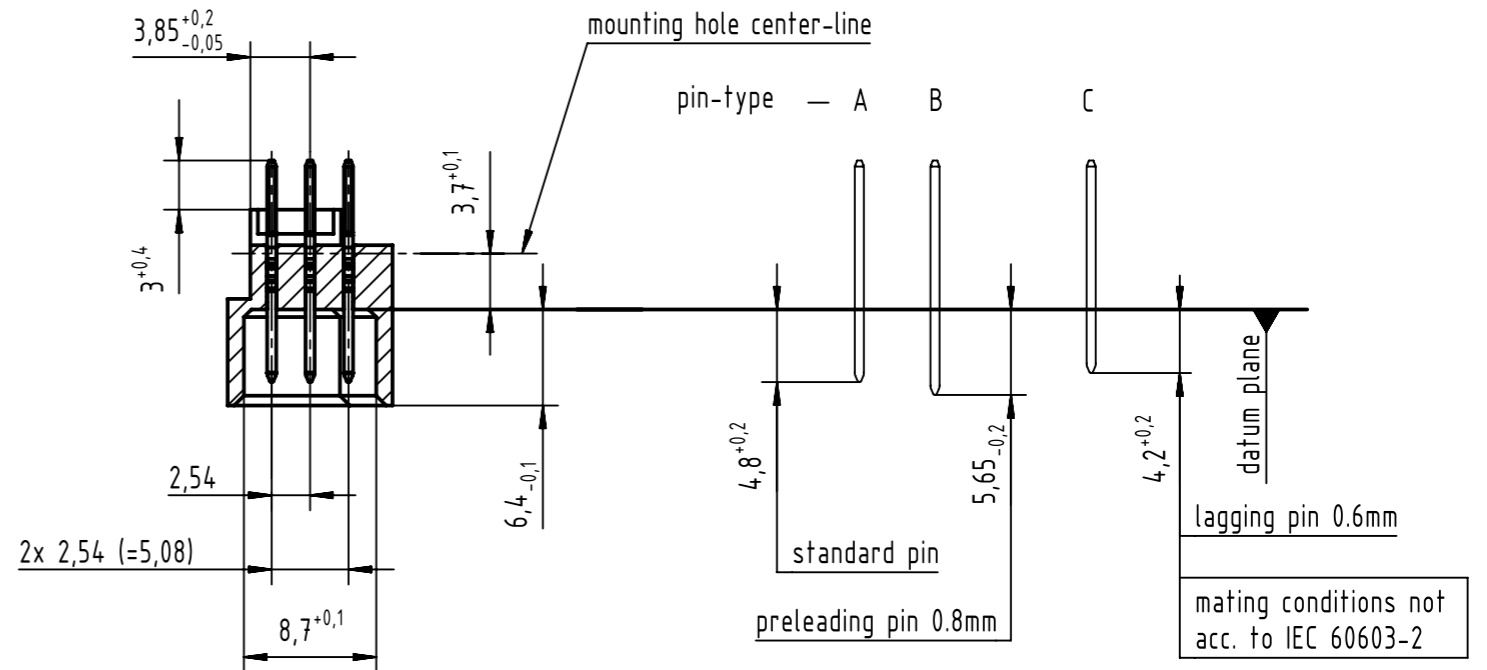
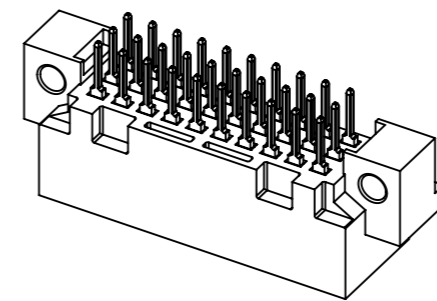
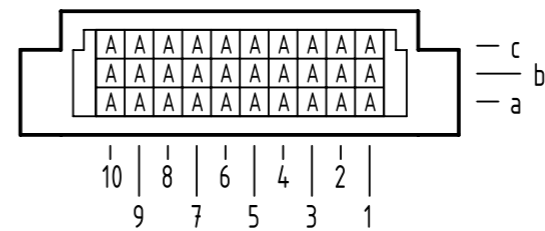


**A-A (2:1)**



**B**  
contact loading



09 25 130 6922	2
part no.	performance level 1

1 further information see: DS 09031200201

<p>All rights reserved Department EL PD HARTING Electronics GmbH D-32339 Espelkamp</p>	<p>All Dimensions in mm Original Size DIN A3</p>	<p>Scale 1:1</p>	<p>Free size tol. IEC 60603-2</p>	<p>Ref. Sub. TB 09 25 130 x922 / 35605 / 24.06.2009</p>
	<p>Created by HAGEMEYERE</p>	<p>Inspected by ELLERMANN</p>	<p>Standardisation HOFFMANN</p>	<p>Date 2015-09-02</p>
<p>Title DIN Signal type 3C male solder 30-pole</p>				<p>Doc-Key / ECM-Nr. 100175264/UGD/036/B 50000092553</p>
<p>Type TB</p>		<p>Number 0925130X922</p>		<p>Rev. B</p>
				<p>Page 1/1</p>